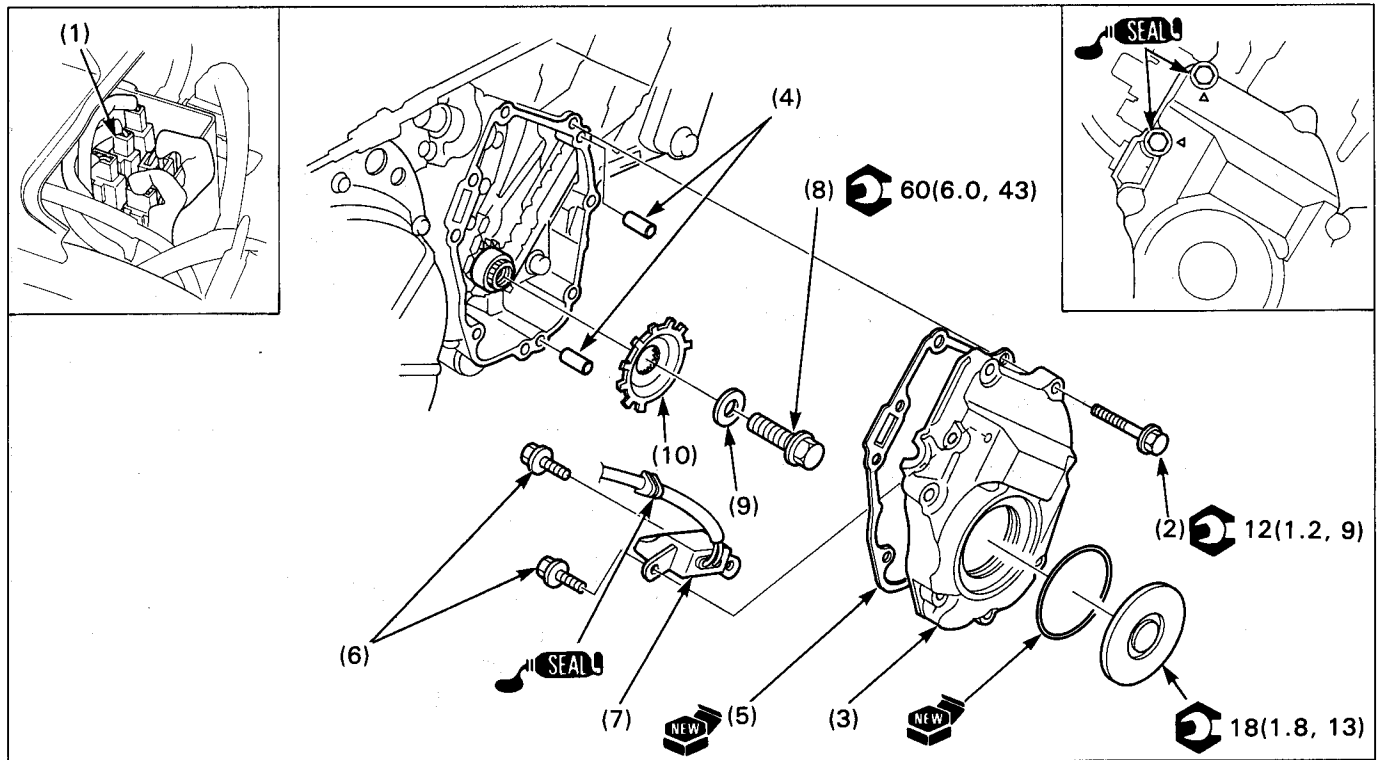


Pulse Generator Rotor Cover Removal/Installation



Requisite Service

- Fuel tank removal/installation (page 2-11)
- Left crankcase cover removal/installation (page 15-7)
(This is necessary if you plan to remove the pulse generator rotor.)

Procedure	Q'ty	Remarks
Removal Order		Installation is in the reverse order of removal.
(1) Pulse generator connector	1	NOTE • Apply sealant to the threads of the bolts indicated by "△" marks. When installing, apply sealant to the grommet and install the grommet securely into the groove in the pulse generator rotor cover. NOTE • Remove the left crankcase cover (page 15-7) and loosen the bolt while holding the flywheel with a flywheel wrench (No. 07925-ME90000). • Be careful not to damage the rotor teeth during removal and installation.
(2) Pulse generator rotor cover bolt	8	
(3) Pulse generator rotor cover	1	
(4) Dowel pin	2	
(5) Gasket	1	
(6) Bolt	2	
(7) Pulse generator	1	
(8) Pulse generator rotor bolt	1	
(9) Washer	1	
(10) Pulse generator rotor	1	