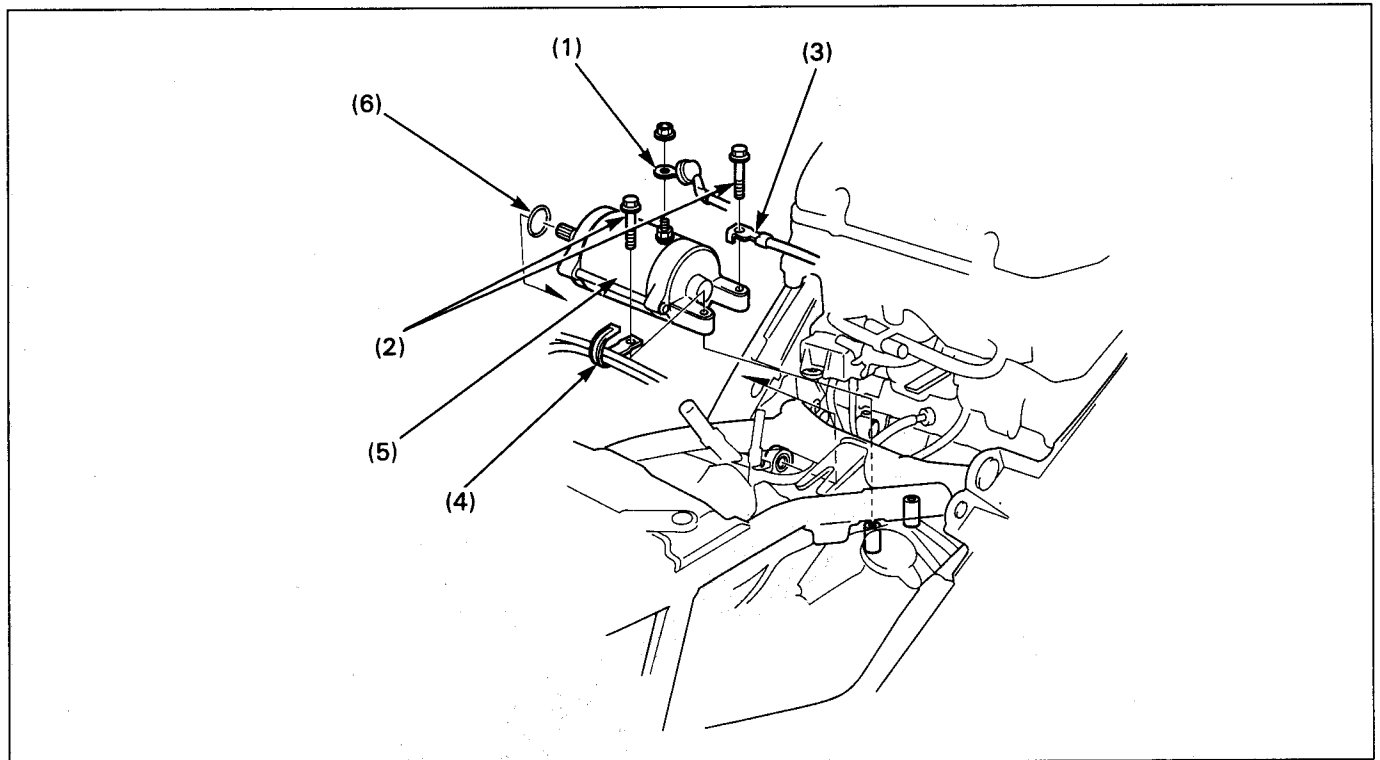


## Starter Motor Removal/Installation



**⚠ WARNING**

- Turn the ignition switch OFF.

### Requisite Service

- Fuel tank removal/installation (page 2-11)

Procedure		Q'ty	Remarks
<b>Removal Order</b>			Installation is in the reverse order of removal.
(1)	Starter motor cable	1	
(2)	Starter motor mounting bolt	2	
(3)	Ground cable	1	
(4)	Clamp	1	
(5)	Starter motor	1	
(6)	O-ring	1	