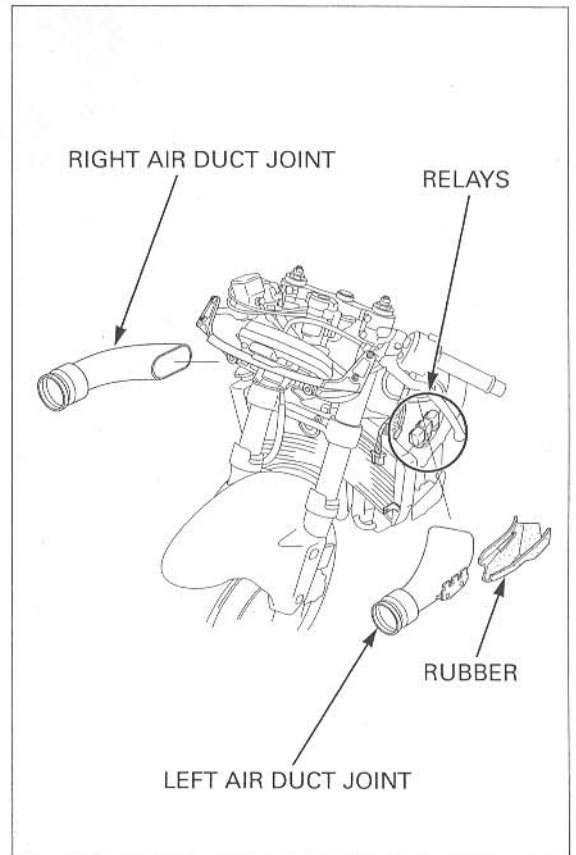


FRAME/BODY PANELS/EXHAUST SYSTEM

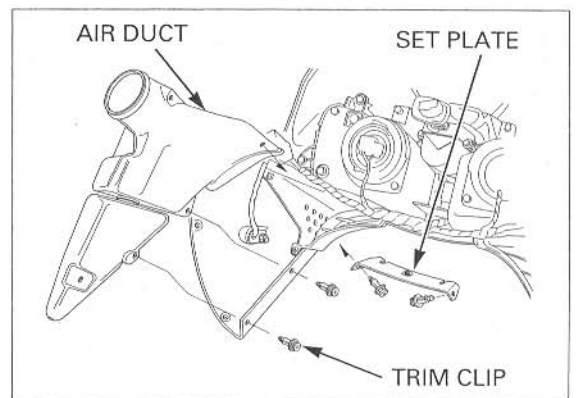
Remove the relays and rubber from the left air duct joint.

Remove the air duct joints from the air cleaner housing.



DISASSEMBLY/ASSEMBLY

Remove the trim clips, air ducts and set plate from the upper cowl.



Remove the resonator chamber from the air duct.

