

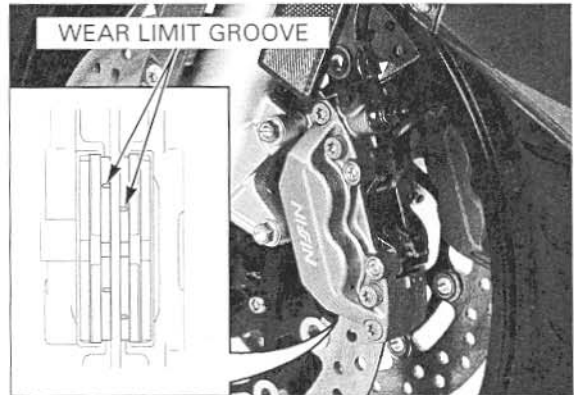
## MAINTENANCE

### BRAKE PAD WEAR

#### FRONT BRAKE PADS

Check the brake pads for wear.  
Replace the brake pads if either pad is worn to the bottom of wear limit groove.

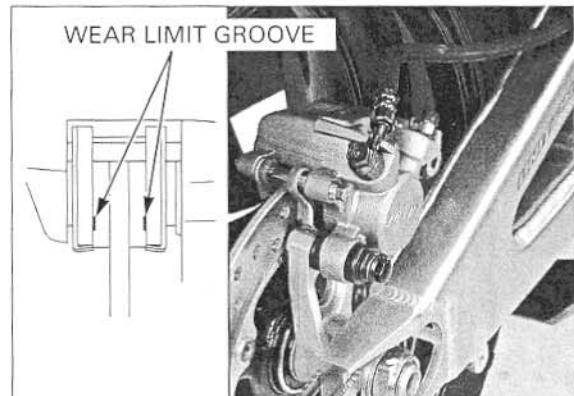
Refer to page 16-9 for brake pad replacement.



#### REAR BRAKE PADS

Check the brake pads for wear.  
Replace the brake pads if either pad is worn to the bottom of wear limit groove.

Refer to page 16-11 for brake pad replacement.



### BRAKE SYSTEM

#### INSPECTION

Firmly apply the brake lever or pedal, and check that no air has entered the system.  
If the lever or pedal feels soft or spongy when operated, bleed the air from the system (page 16-7).

Inspect the brake hose and fittings for deterioration, cracks and signs of leakage.  
Tighten any loose fittings.  
Replace hoses and fittings as required.

Refer to page 16-6 for brake bleeding procedures.

