

MAINTENANCE

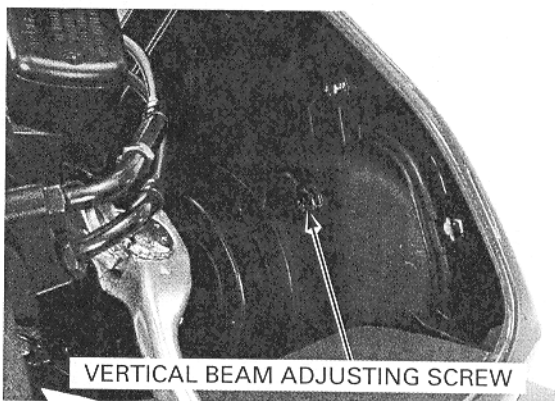
HEADLIGHT AIM

Place the motorcycle on a level surface.

Adjust the headlight aim as specified by local laws and regulations.

Adjust the headlight aim vertically by turning the vertical beam adjusting screw.

A clockwise rotation moves the beam up and counterclockwise rotation moves the beam down.

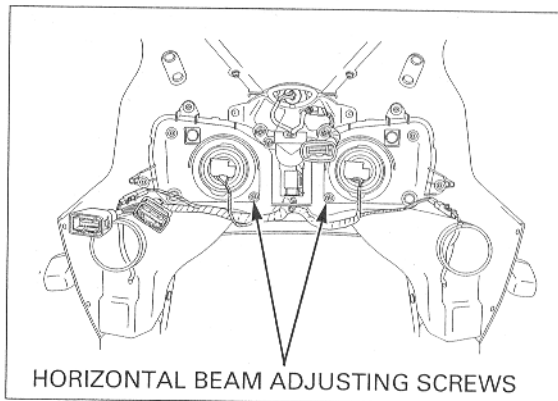


VERTICAL BEAM ADJUSTING SCREW

Adjust the headlight aim horizontally by turning the horizontal beam adjusting screw.

Left Headlight: A clockwise rotation moves the beam toward the right and counterclockwise rotation moves the beam toward the left side of the rider.

Right Headlight: A clockwise rotation moves the beam toward the left and counterclockwise rotation moves the beam toward the right side of the rider.



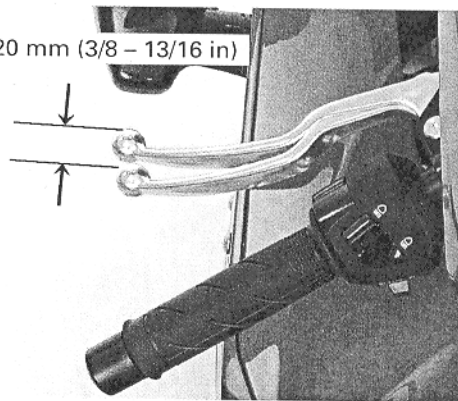
HORIZONTAL BEAM ADJUSTING SCREWS

CLUTCH SYSTEM

Measure the clutch lever free play at the end of the clutch lever.

FREE PLAY: 10 – 20 mm (3/8 – 13/16 in)

10 – 20 mm (3/8 – 13/16 in)



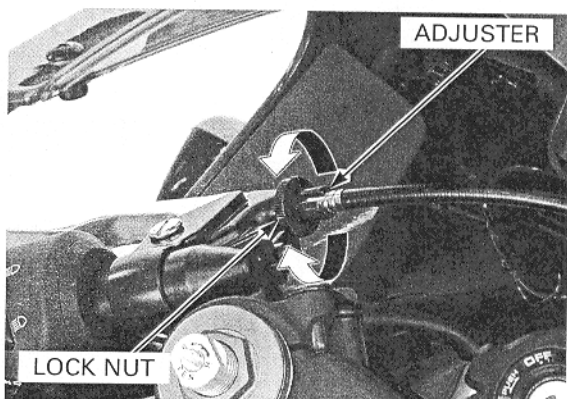
The adjuster may be damaged if it is positioned too far out, leaving minimal thread engagement.

Minor adjustment is made using the upper adjuster at the clutch lever.

Loosen the lock nut and turn the adjuster.

If the adjuster is threaded out near its limit and the correct free play cannot be obtained, turn the adjuster all the way in and back out one turn.

Tighten the lock nut while holding the adjuster and make a major adjustment as described as follow.



ADJUSTER

LOCK NUT