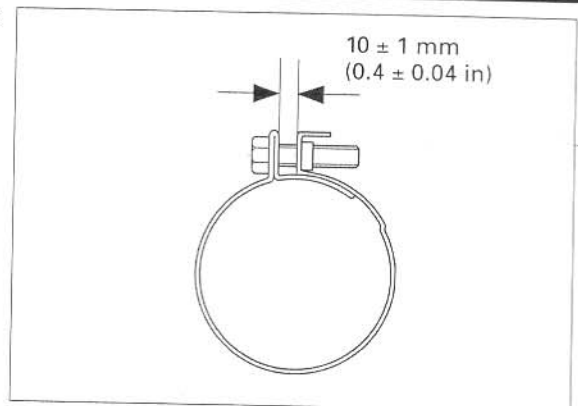
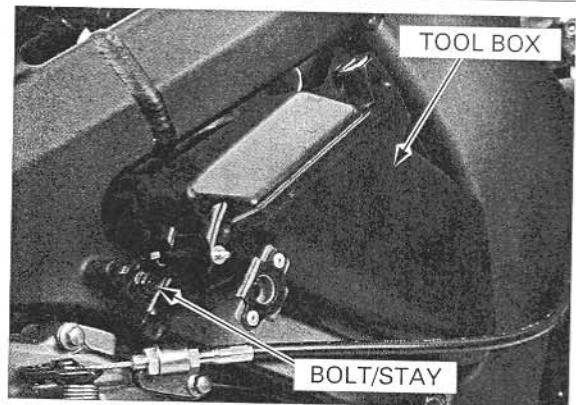


## FUEL SYSTEM (Programmed Fuel Injection)

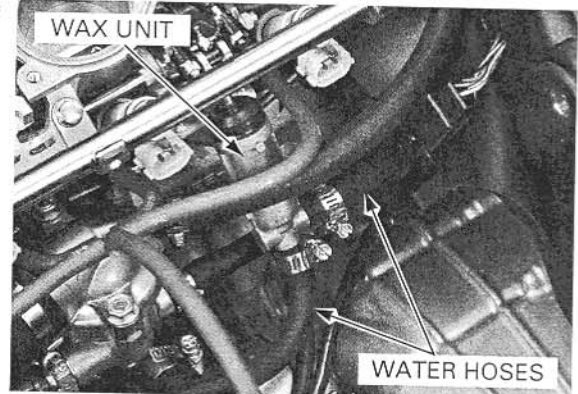
Tighten the engine side insulator band so that the insulator band distance is  $10 \pm 1$  mm ( $0.4 \pm 0.04$  in).



Install the tool box, stay and tighten the bolt securely.



Connect the fast idle wax unit water hoses to the wax unit and tighten the hose clamp screws.



Connect the TP sensor connector and primary injector connectors.

