

## BANK ANGLE SENSOR

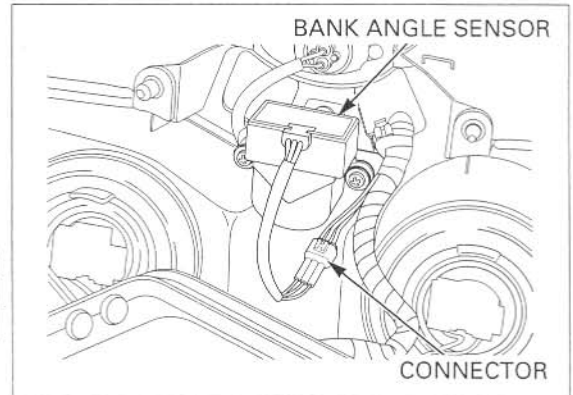
### INSPECTION

Remove the upper cowl (page 3-9) with the connectors connected.

Turn the ignition switch ON and engine stop switch "O".

Measure the voltage between the following terminals of the bank angle sensor connector with the connector connected.

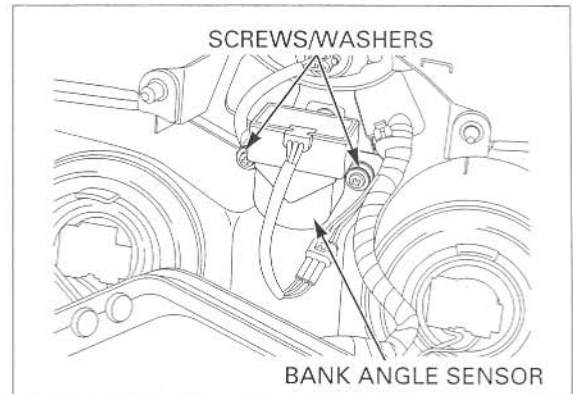
TERMINAL	STANDARD
White/black (+) - Green (-)	Battery voltage
Red/white (+) - Green (-)	0 - 1 V



*Do not disconnect the bank angle sensor connector during inspection.*

Turn the ignition switch OFF.

Remove the screws, washer and bank angle sensor.



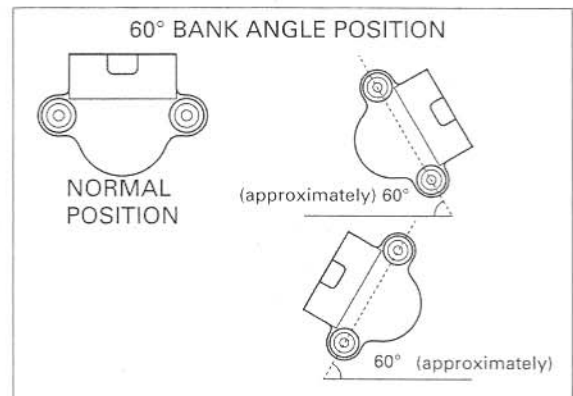
Place the bank angle sensor horizontal as shown, and turn the ignition switch ON.

The bank angle sensor is normal if the engine stop relay clicks and power supply is closed.

Incline the bank angle sensor approximately 60 degrees to the left or right with the ignition switch ON.

The bank angle sensor is normal if the engine stop relay clicks and power supply is open.

If you repeat this test, first turn the ignition switch OFF, then turn the ignition switch ON.



### REMOVAL/INSTALLATION

Disconnect the bank angle sensor 3P (Black) connector.

Remove the two screws, washers and bank angle sensor.

