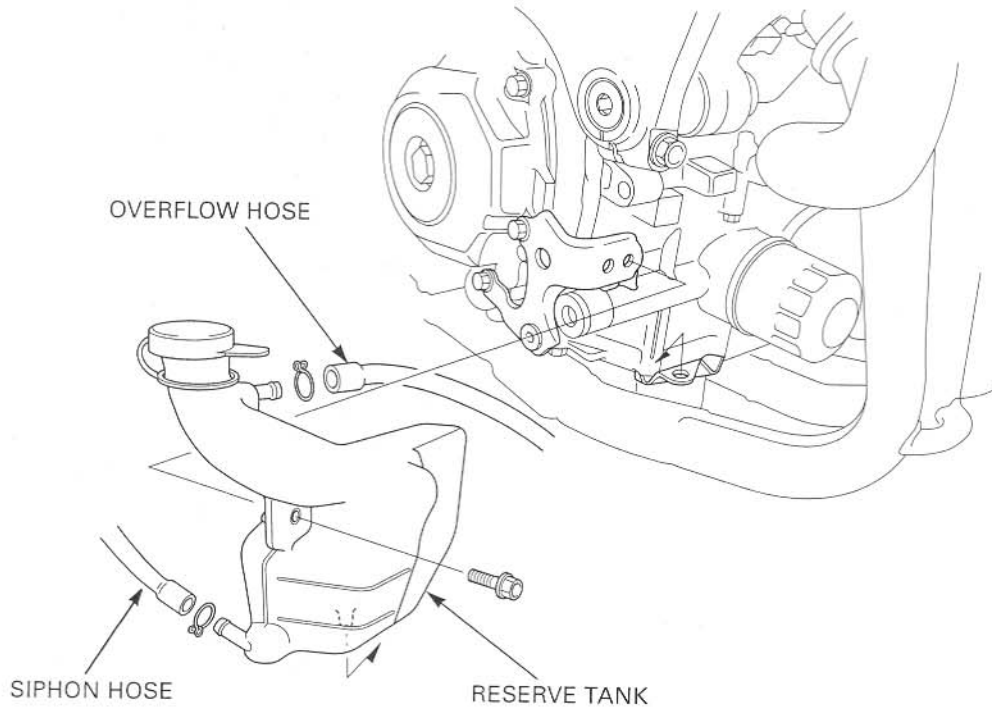


COOLING SYSTEM

INSTALLATION



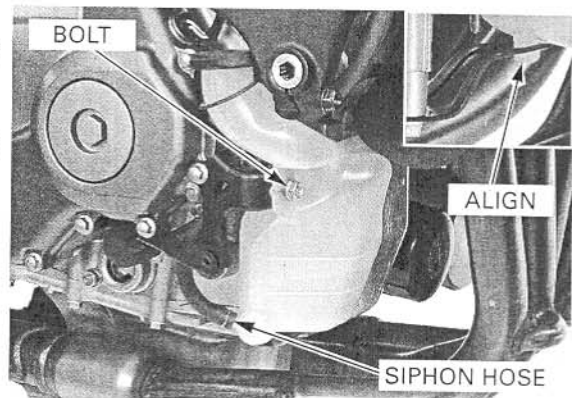
Connect the siphon hose to the reserve tank.

Install the reserve tank while aligning the boss of reserve tank with the mounting stay hole. Install and tighten the bolt securely.

Fill the system with the recommended coolant (page 7-6).

Install the following:

- Middle cowls (page 3-8)
- Lower cowls (page 3-6)



FAN CONTROL RELAY

INSPECTION

Remove the following:

- Lower cowls (page 3-6)
- Middle cowls (page 3-7)

Disconnect the fan control relay connector. Remove the fan control relay.

