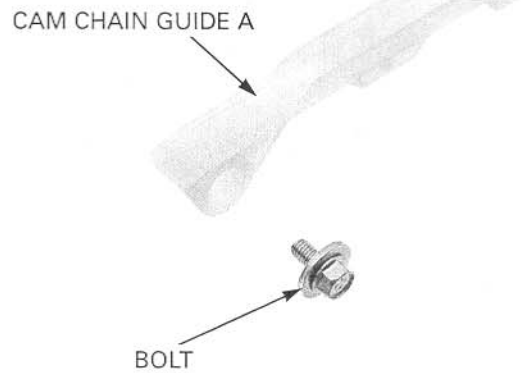
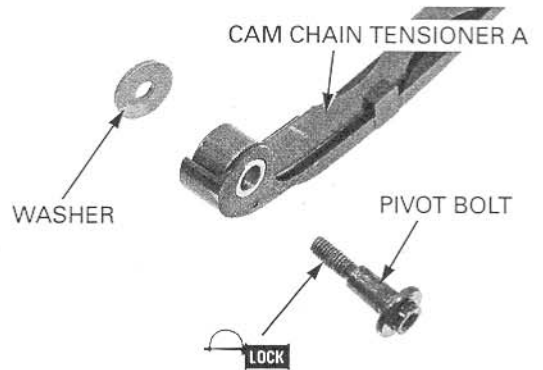


## CYLINDER HEAD/VALVES

Install the cam chain guide A and bolt.



Apply a locking agent to the cam chain tensioner pivot bolt threads.  
Install the washer, cam chain tensioner A and socket bolt.



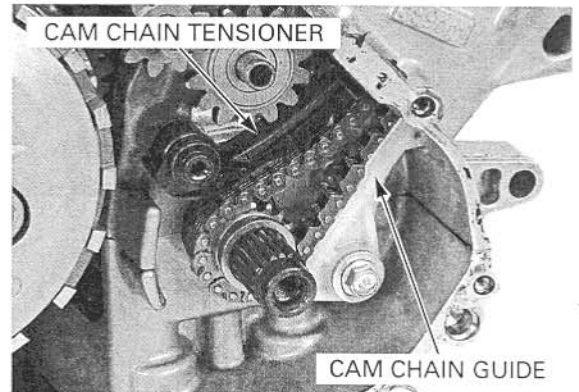
Tighten the cam chain guide A bolt to the specified torque.

**TORQUE: 12 N·m (1.2 kgf·m, 9 lbf·ft)**

Tighten the cam chain tensioner A pivot bolt to the specified torque.

**TORQUE: 9.8 N·m (1.0 kgf·m, 7 lbf·ft)**

Install the starter clutch (page 10-20) and right crankcase cover (page 10-24).



Install the dowel pins and a new cylinder head gasket as shown.

