

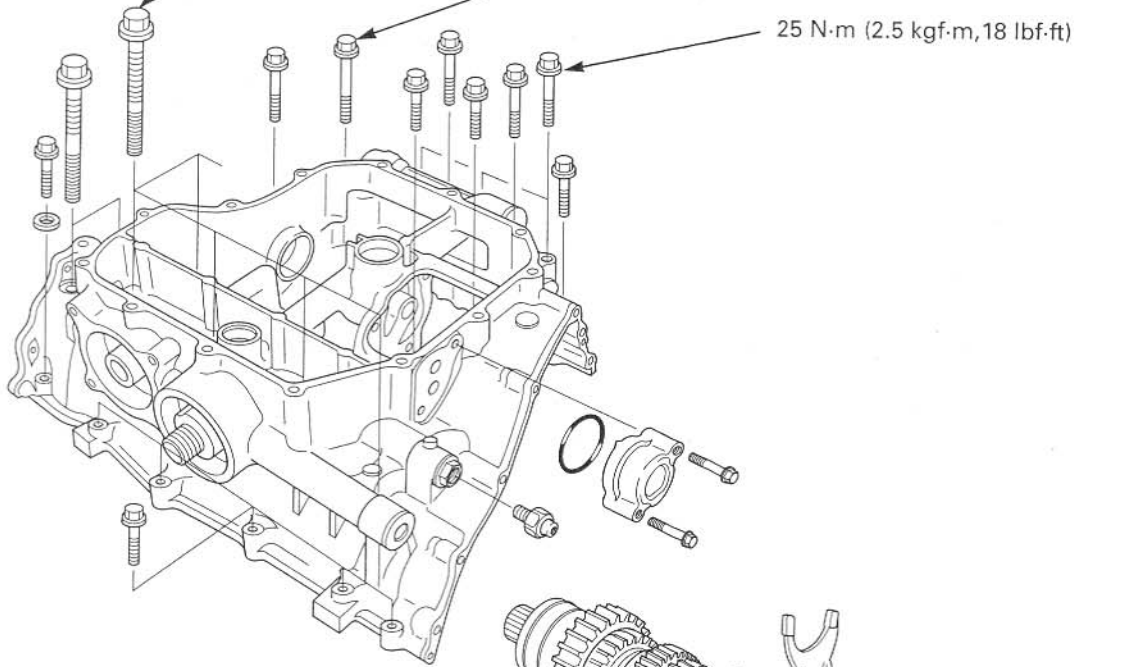
CRANKCASE/TRANSMISSION

COMPONENT LOCATION

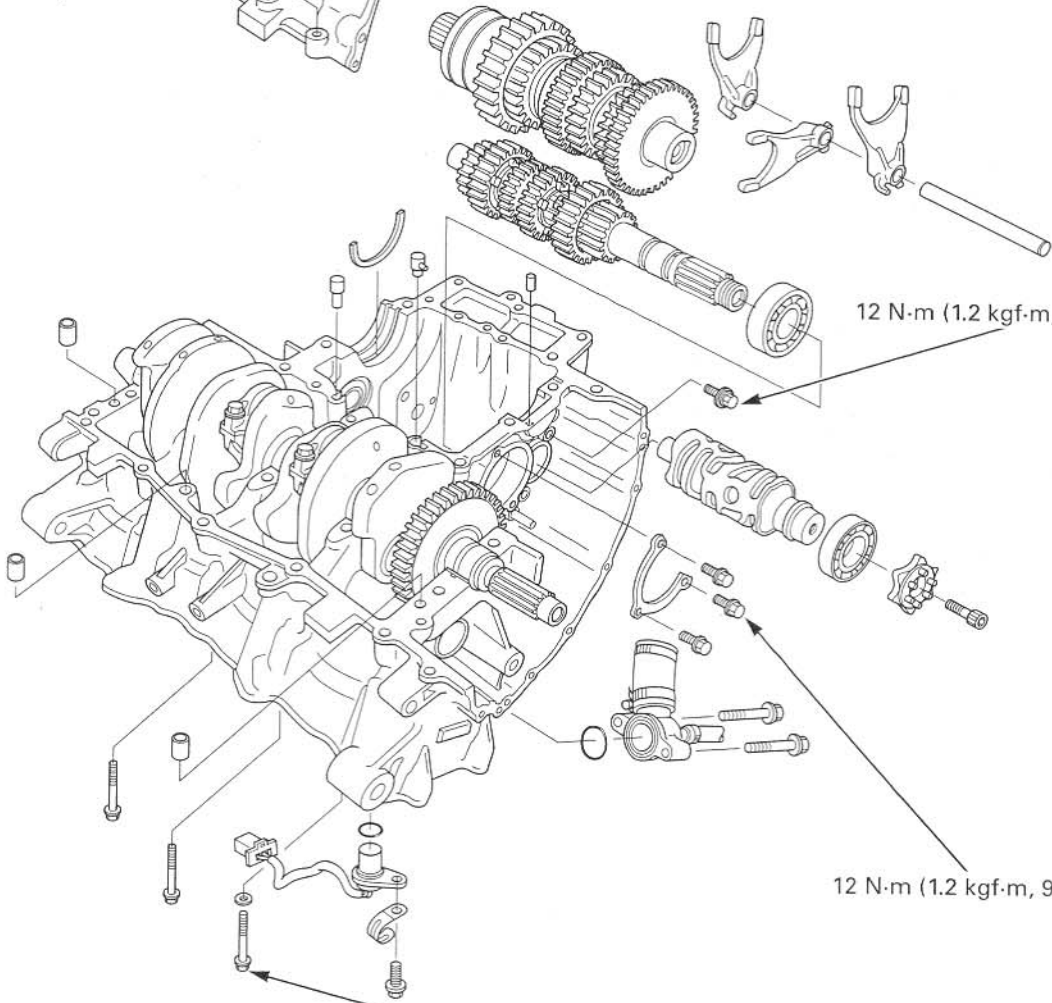
15 N·m (1.5 kgf·m, 10 lbf·ft)+ 120°

39 N·m (4.0 kgf·m, 29 lbf·ft)

25 N·m (2.5 kgf·m, 18 lbf·ft)



12 N·m (1.2 kgf·m, 9 lbf·ft)



12 N·m (1.2 kgf·m, 9 lbf·ft)

12 N·m (1.2 kgf·m, 9 lbf·ft)