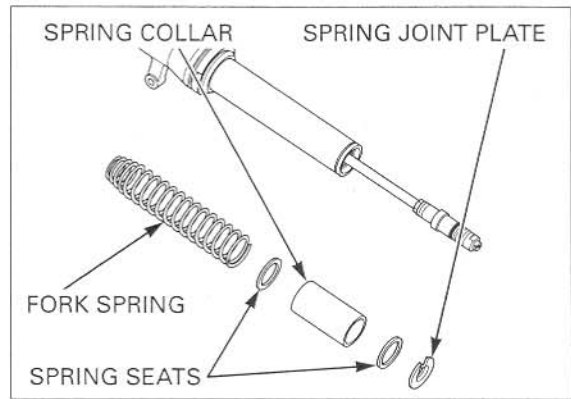


FRONT WHEEL/SUSPENSION/STEERING

Pull the damper rod up and install the fork spring with the tapered end facing up.

Install the following:

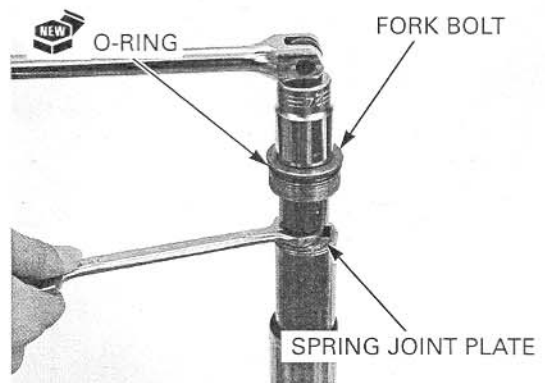
- Spring seats
- Spring collar
- Spring joint plate



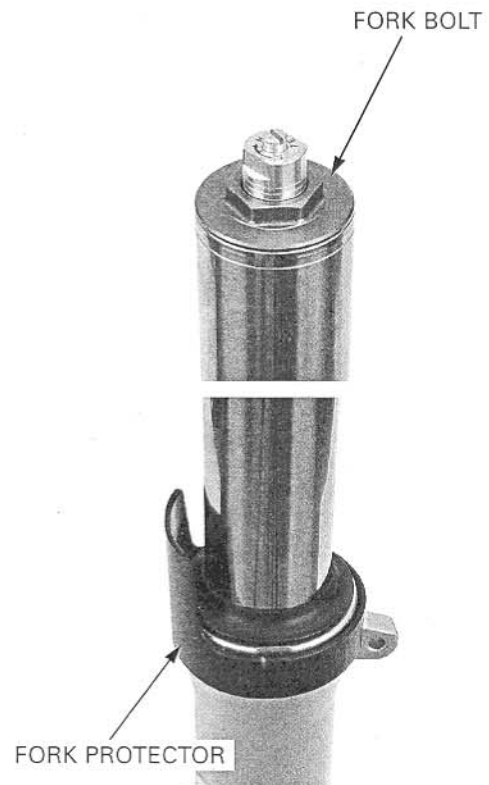
Apply fork fluid to a new O-ring and install it onto the fork bolt.

Screw the fork bolt to the rebound adjuster until it seats.

Hold the rebound adjuster with a 14 mm wrench and tighten the fork bolt.



Screw the fork bolt into the fork tube.



Install the fork protector.