

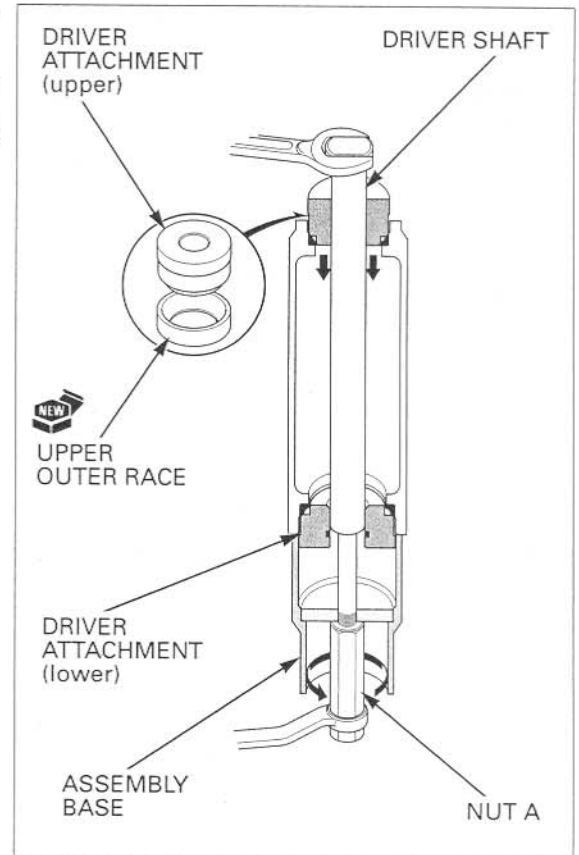
FRONT WHEEL/SUSPENSION/STEERING

Remove any burrs from the outer race installation surface of the steering head.

Note the installation direction of the assembly base; the large I.D. side facing the lower attachment.

Install a new upper outer race with the special tools as shown.

Hold the driver shaft with a wrench and turn the nut A gradually until upper outer race is fully seated.



Remove any burrs from the outer race installation surface of the steering head.

Note the installation direction of the assembly base; the small I.D. side facing the upper attachment.

Install a new lower outer race with the special tools as shown.

Hold the driver shaft with a wrench and turn the nut A gradually until lower outer race is fully seated.

