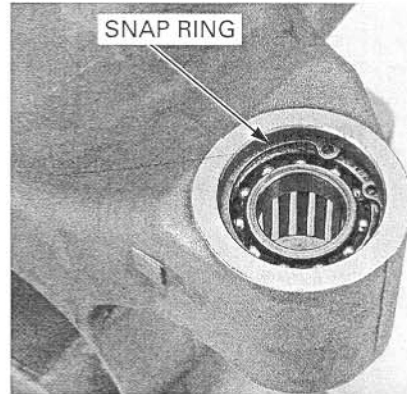


REAR WHEEL/SUSPENSION

PIVOT BEARING REPLACEMENT

Remove the snap ring from the swingarm right side pivot.



Remove the right side pivot ball bearing using the special tools.

TOOLS:

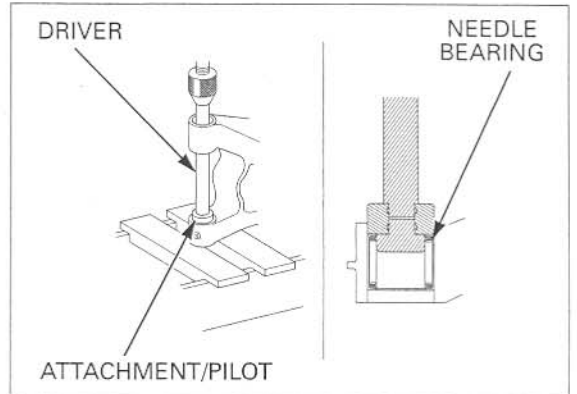
Bearing remover handle	07936-3710100
Bearing remover, 20 mm	07936-3710600
Remover weight	07741-0010201 or 07936-371020A



Remove the left side pivot needle bearing from the swingarm pivot using the special tools.

TOOLS:

Driver	07949-3710001
Attachment, 37 mm	07ZMD-MBW0200
Pilot, 28 mm	07746-0041100
or	
Driver shaft	07946-MJ00100
Attachment, 37 mm	07ZMD-MBW0200
or	
Driver shaft	07946-MJ00100
Needle bearing remover	07HMC-MR70100



Press the right side pivot needle bearing out using the special tools and a hydraulic press.

TOOLS:

Driver	07949-3710001
Attachment, 34 mm	07ZMD-MBW0100
Pilot, 28 mm	07746-0041100
or	
Driver shaft	07946-MJ00100
Attachment, 34 mm	07ZMD-MBW0100

