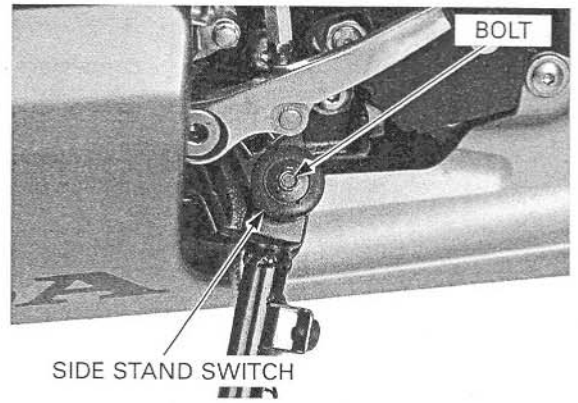
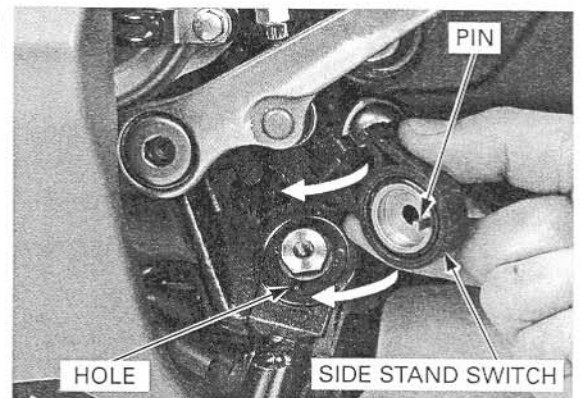


Remove the bolt and side stand switch.



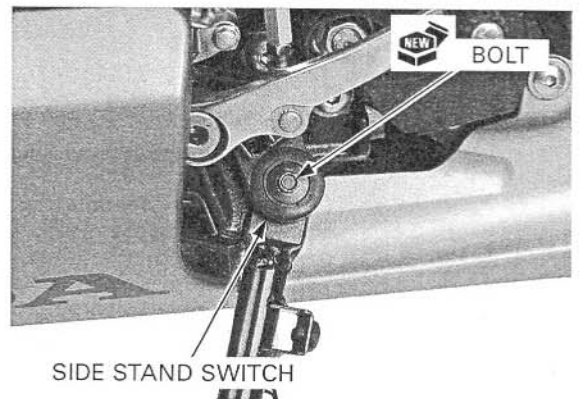
INSTALLATION

Install the side stand switch by aligning the switch pin with the side stand hole and switch groove with the return spring holding pin.



Secure the side stand switch with a new bolt.

TORQUE: 9.8 N-m (1.0 kgf-m, 7 lbf-ft)



Connect the side stand switch 2P (Green) connector.

