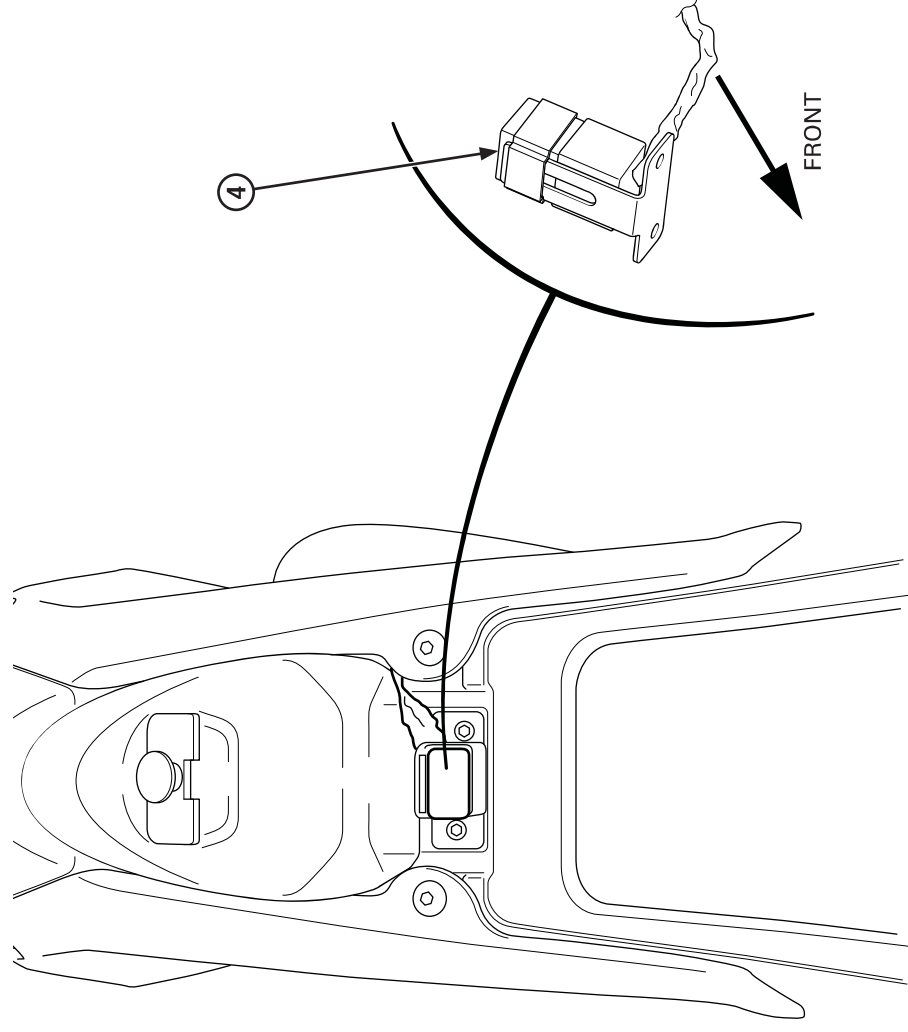


- (1) SPEEDOMETER
- (2) POWER RELAY
- (3) WINKER RELAY
- (4) FAN RELAY
- (5) RIGHT FRONT TURN SIGNAL CONNECTORS
- (6) LEFT FRONT TURN SIGNAL CONNECTORS
- (7) 9P CONNECTOR (LIGHT SWITCH)
- (8) 9P CONNECTOR (SUB-HARNESS)
- (9) 3P CONNECTOR (SPEED SENSOR)
- (10) FRONT BRAKE SWITCH
- (11) 2P CONNECTOR (POSITION LIGHT)
- (12) 2P CONNECTOR (MIL)
- (13) 2P CONNECTOR (INACTIVE)



- (8) 9P CONNECTOR (SUB-HARNESS)
- (9) 3P CONNECTOR (SPEED SENSOR)
- (10) FRONT BRAKE SWITCH
- (11) 2P CONNECTOR (POSITION LIGHT)
- (12) 2P CONNECTOR (MIL)
- (13) 2P CONNECTOR (INACTIVE)