

MAINTENANCE

Inspect the drive chain and O-rings for possible wear or damage. Replace the chain, if it is worn excessively or damaged.

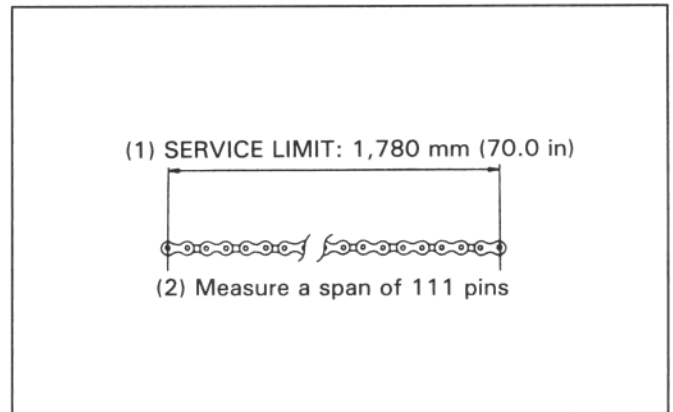
Measure the drive chain length with the chain held so that all links are straight.

111 PINS LENGTH:

STANDARD: 1,762 mm (69.4 in)

SERVICE LIMIT: 1,780 mm (70.0 in)

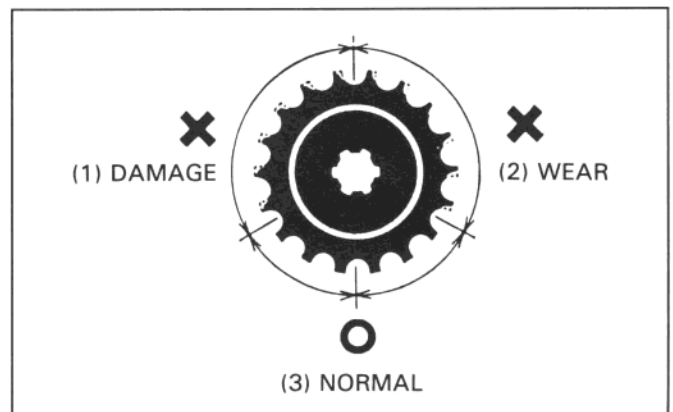
Lubricate the drive chain with SAE #80 or SAE #90 gear oil.



Inspect the sprocket teeth for excessive wear or damage. Replace if necessary.

NOTE

- Never install a new drive chain on worn sprockets or a worn chain on new sprockets. Both chain and sprockets must be in good condition, or the new replacement parts will wear rapidly.



Install a new drive chain.

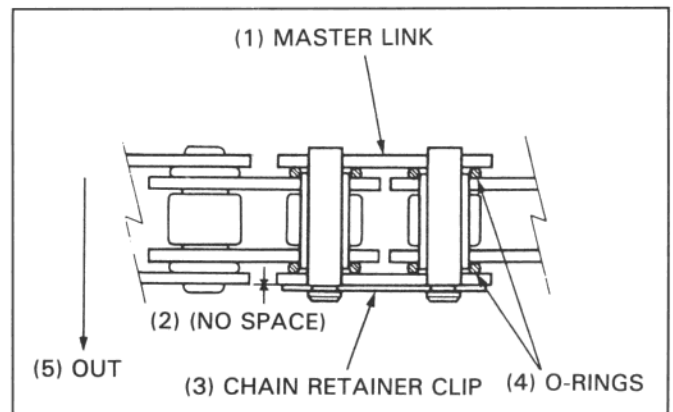
Install the master link with O-rings and chain retaining clip.

Install the drive sprocket cover.

Adjust the drive chain (page 3-10).

CAUTION

- Do not assemble the drive chain without the four master link O-rings.
- Be sure that there is no space between the master link and the chain retainer clip.



CHAIN SLIDER/SLIPPER/GUIDE SLIDER

Check the chain slider for wear.

CAUTION

- If the chain slider becomes worn down to the swingarm, the chain will begin to wear against the swingarm.

Inspect the chain slipper and replace it if the depth of the chain groove leaves less material than specified.

SERVICE LIMIT: 2 mm (0.08 in)

