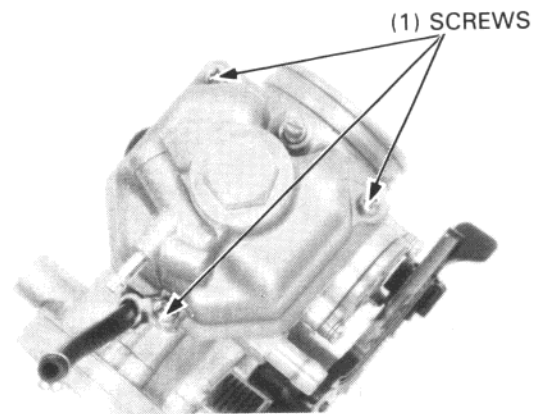


FUEL SYSTEM

CARBURETOR DISASSEMBLY

FLOAT, FLOAT VALVE, AND JETS

Remove the overflow tube, drain tube and air vent tube.
Remove the three float chamber screws and the float chamber.

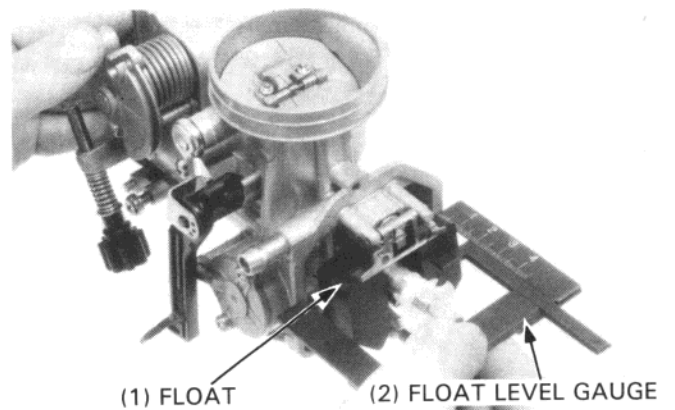


Measure the float level with the float tang just contacting the float valve.

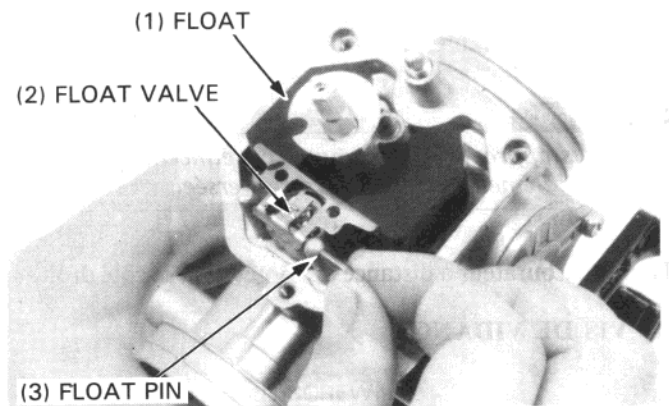
TOOL:
FLOAT LEVEL GAUGE 07401-0010000

SPECIFICATION: 14.5 mm (0.57 in)

Adjust the float level by carefully bending the float tang.



Remove the float pin, float and float valve.



Inspect the float valve and its seat for grooves, nicks, or contamination.

Inspect the operation of the float valve.

Check the float for deformation and the presence of fuel.

