

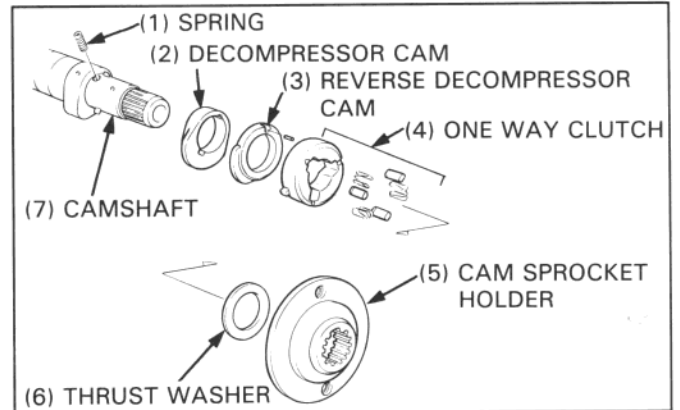
CYLINDER HEAD/VALVES

DECOMPRESSOR SYSTEM DISASSEMBLY

Press the cam sprocket holder off of the camshaft. Remove the thrust washer, one way clutch, reverse decompressor cam and decompressor cam (with spring).

NOTE

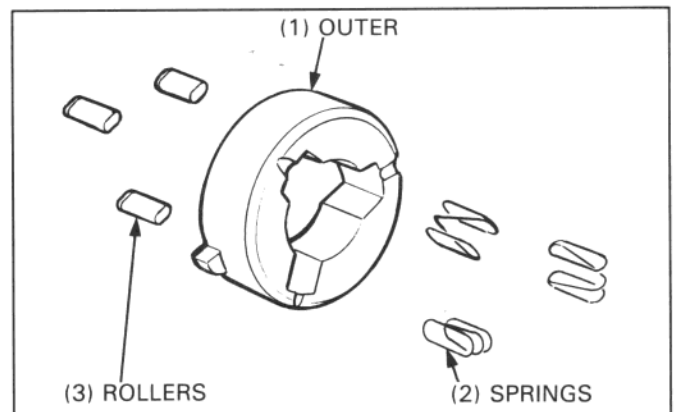
- Do not confuse the cam spring with the clutch spring.



INSPECTION

Check the one way clutch outer, rollers and springs for wear or damage.

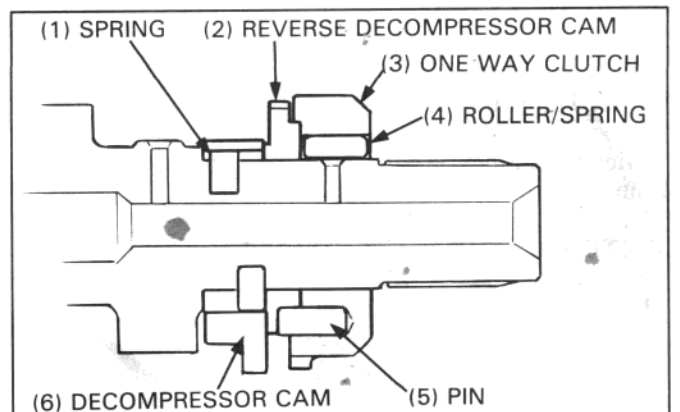
Check both decompressor cams for wear or damage, replace if necessary. Inspect the cams' sliding surface on the camshaft for scoring or wear.



DECOMPRESSOR SYSTEM ASSEMBLY

Lubricate both decompressor cams, one way clutch, and the thrust washer with oil, then install the decompressor cam, with its spring, onto the camshaft.

Install the reverse decompressor cam and the one way clutch with a pin.
Install the thrust washer.



Press the cam sprocket holder onto the camshaft after aligning the indentation on the camshaft with the lug on the cam sprocket holder.

