

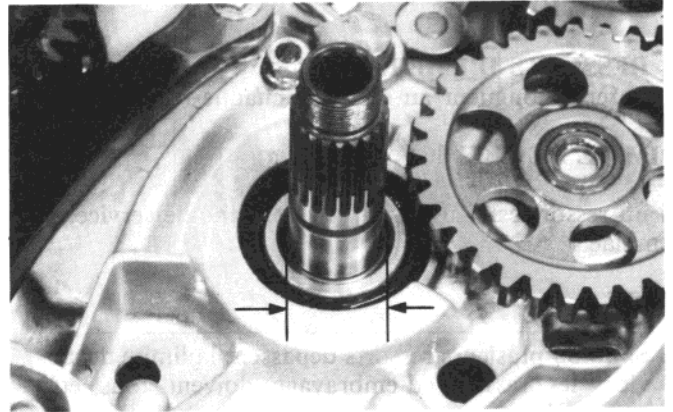
CLUTCH/KICK STARTER

Measure the mainshaft O.D. at the clutch outer guide area.

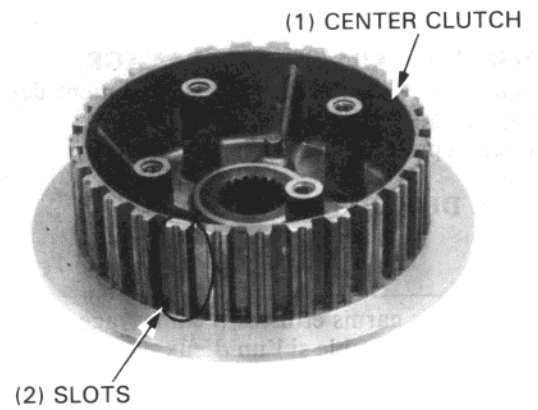
SERVICE LIMIT: 21.91 mm (0.863 in)

Calculate the mainshaft-to-clutch outer guide clearance.

SERVICE LIMIT: 0.14 mm (0.006 in)

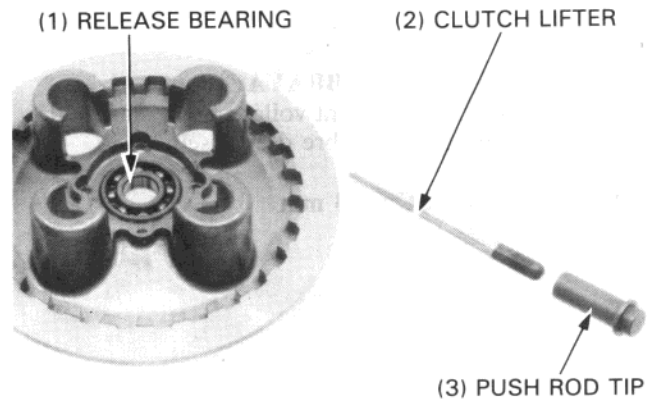


Check the slots in the clutch center for nicks, cuts or indentations made by the friction discs.



Check the clutch lifter rod and push rod tip for damage or bending.

Check the release bearing for wear or damage.



INSTALLATION

Install the clutch outer guide.

