

CLUTCH/KICK STARTER

INSPECTION

Measure the I.D. of the kick starter idler gear.

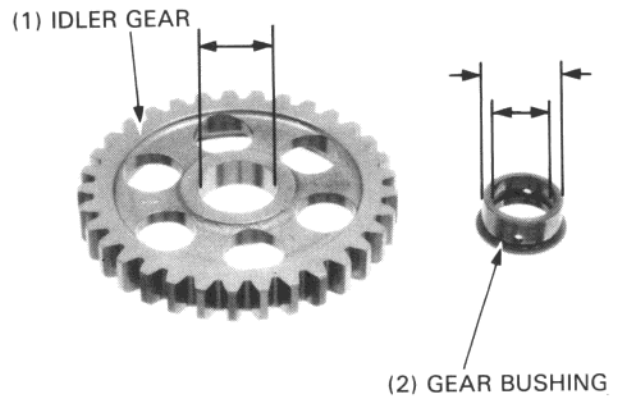
SERVICE LIMIT: 20.11 mm (0.792 in)

Measure the I.D. and O.D. of the idler gear bushing.

SERVICE LIMITS:

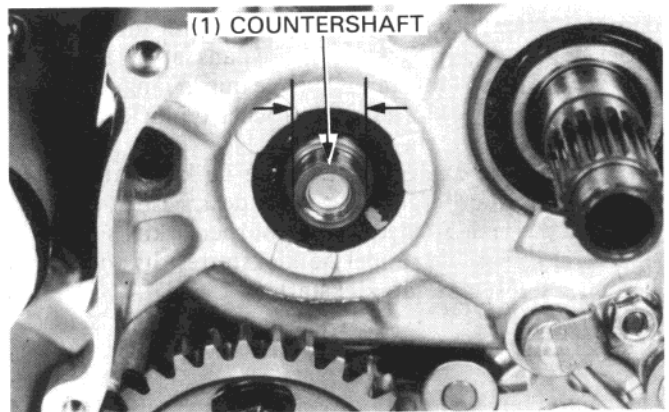
I.D.: 16.03 mm (0.631 in)

O.D.: 19.90 mm (0.783 in)



Measure the O.D. of the countershaft kick starter spindle.

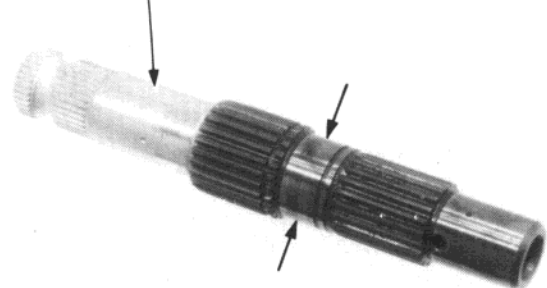
SERVICE LIMIT: 15.93 mm (0.627 in)



Measure the O.D. of the kick starter spindle.

SERVICE LIMIT: 21.90 mm (0.862 in)

(1) STARTER SPINDLE



Measure the I.D. of the kick starter gear.

SERVICE LIMIT: 25.58 mm (1.007 in)

Measure the O.D. and I.D. of the kick starter pinion bushing.

SERVICE LIMITS:

I.D.: 22.07 mm (0.869 in)

O.D.: 25.41 mm (1.004 in)

