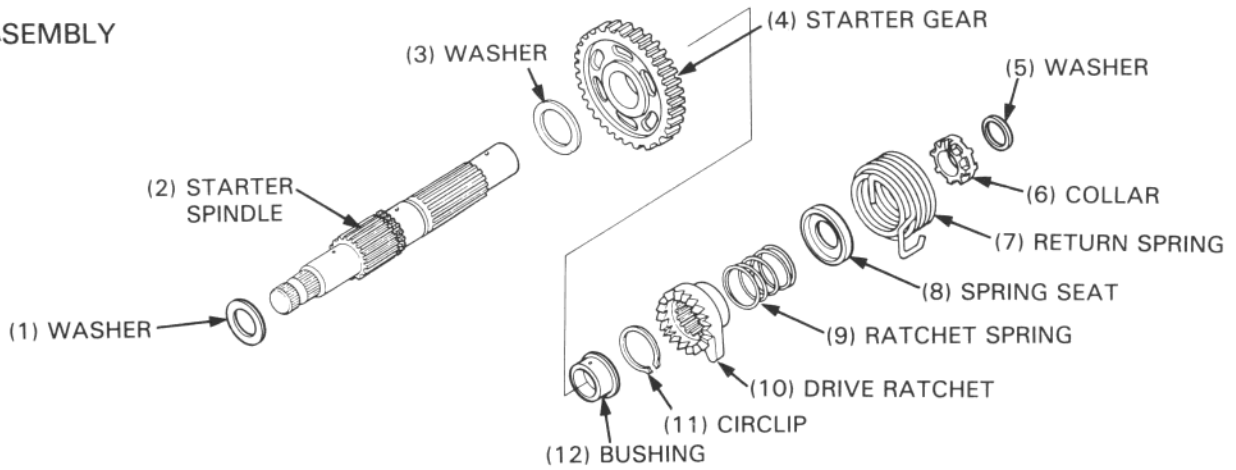
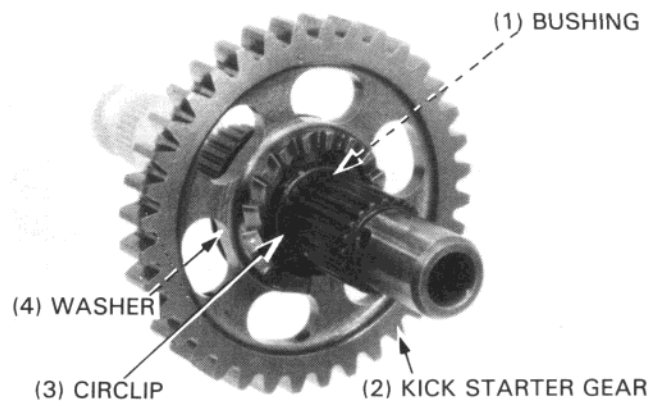


# CLUTCH/KICK STARTER

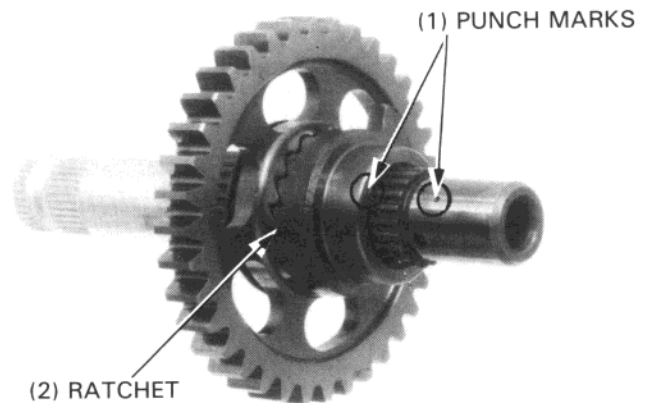
## ASSEMBLY



Install the thrust washer, kick starter gear and bushing.  
Install the circlip over the spindle.



Align the punch marks on the ratchet and the spindle and install the ratchet over the spindle.



Install the ratchet spring and spring seat.

Install the return spring and insert its end into the hole in the spindle.

Install the collar aligning its groove with the spring end inserted into the hole in the spindle.

