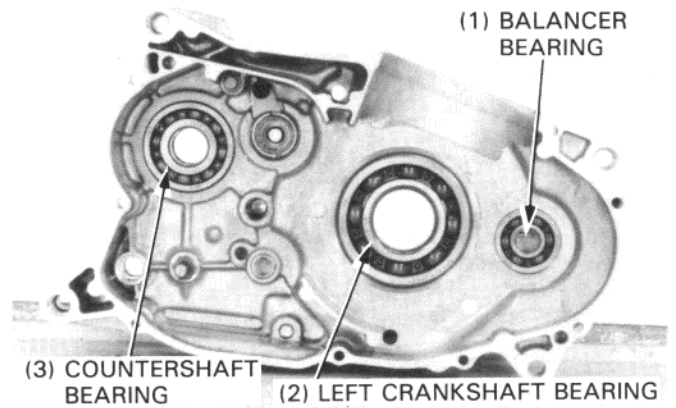


CRANKSHAFT/BALANCER

Remove the bearings from the left crankcase with the bearing remover.



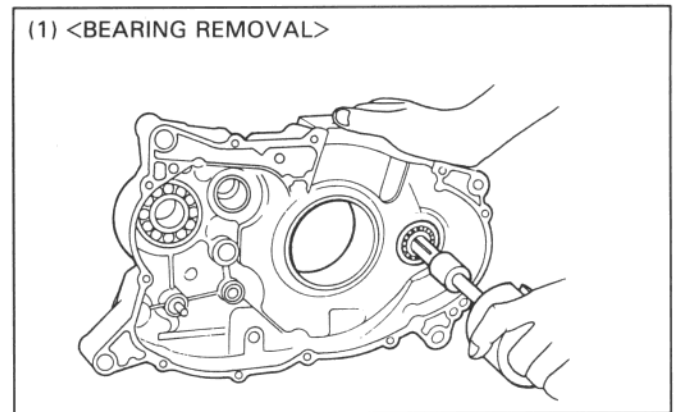
Install the new oil seal.
Install a new bearing in the left crankcase with the driver, attachment and pilot.

Use the following tools to install and remove the bearings.

Countershaft Bearing

INSTALLATION

Attachment, 62 x 68 mm	07746-0010500
Pilot, 25 mm	07746-0040600
Driver	07749-0010000



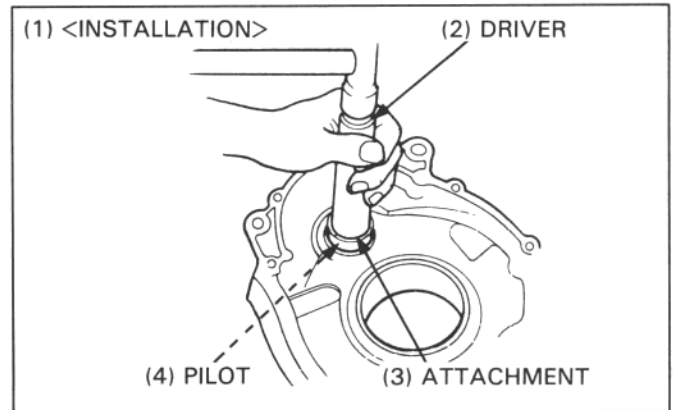
Balancer Shaft Bearing

REMOVAL

Bearing remover, 15 mm	07936-KC10500
Remover weight	07936-3710200 or 07741-0010201
Remover handle	07936-3710100

INSTALLATION

Attachment, 42 x 47 mm	07746-0010300
Driver	07749-0010000



Crankshaft Bearing

Install the bearing plate into the crankcase.
Install the new crankshaft bearing into the crankcase.

INSTALLATION

Bearing driver attachment	07GAD-SD40101
Driver	07749-0010000
Pilot, 40 mm	07746-0040900

