

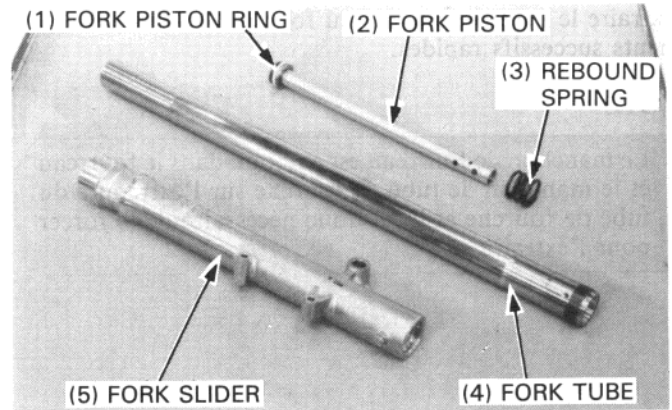
FRONT WHEEL/SUSPENSION/STEERING

Fork piston ring/rebound spring

Check the fork piston ring for wear or damage.
Check the rebound spring for fatigue or damage.

Fork tube/fork slider/fork piston

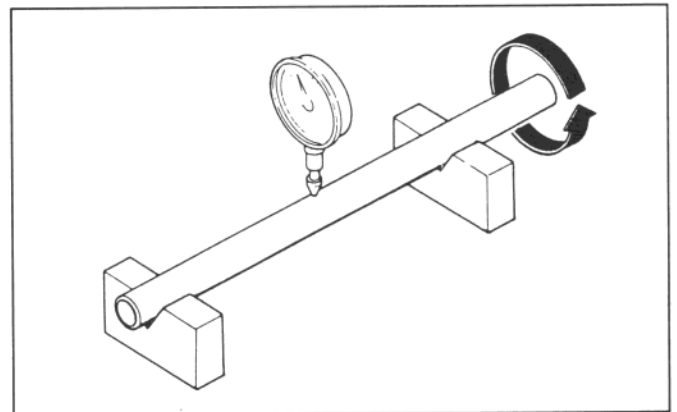
Check the fork tube, fork slider and piston for score marks, scratches, or excessive or abnormal wear.
Replace any components which are worn or damaged.



FORK TUBE

Set the fork tube in V blocks and read the runout.
The actual runout is 1/2 the total indicator reading.

SERVICE LIMIT: 0.20 mm (0.008 in)



ASSEMBLY

Clean all parts with non-flammable or high flash point solvent.

