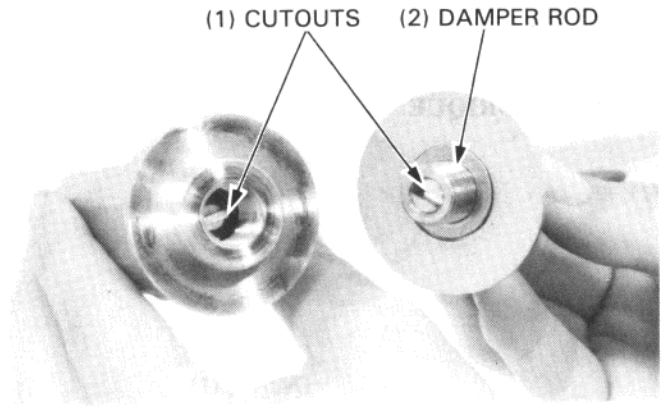


REAR WHEEL/BRAKE/SUSPENSION

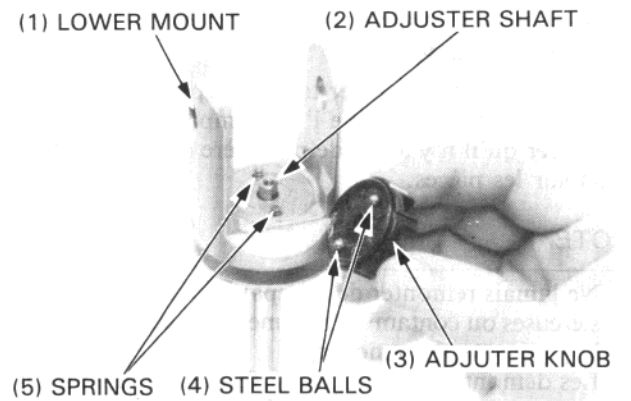
Align the cutout in the damper rod with the cutout in the compression adjuster and screw the damper rod in the lower mount.

Tighten the nut securely.

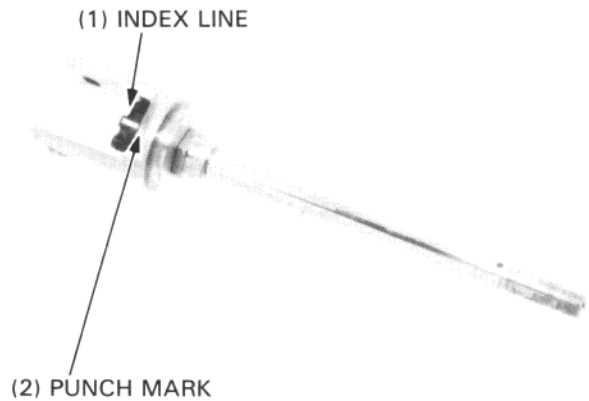
TORQUE: 68 N·m (6.8 kg-m, 49 ft-lb)



See the springs and steel balls in the lower mount hole and install the adjuster knob on the lower mount.



Be sure that the index line on the adjuster knob aligns with the punch mark on the lower mount, and that the adjuster knob and shaft are properly assembled.



Install the stopper rubber.

