

REAR WHEEL/BRAKE/SUSPENSION

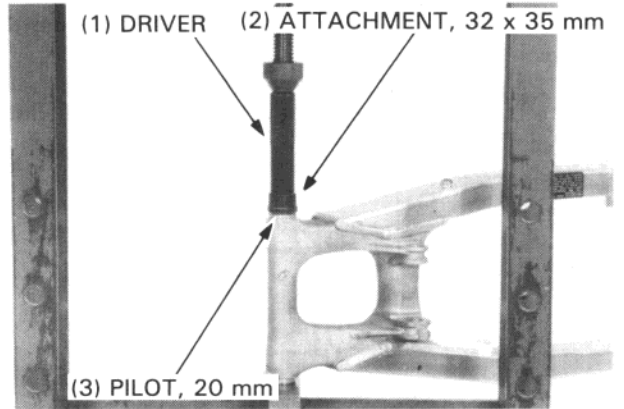
Carefully press the new needle bearings into the swingarm pivot.

NOTE

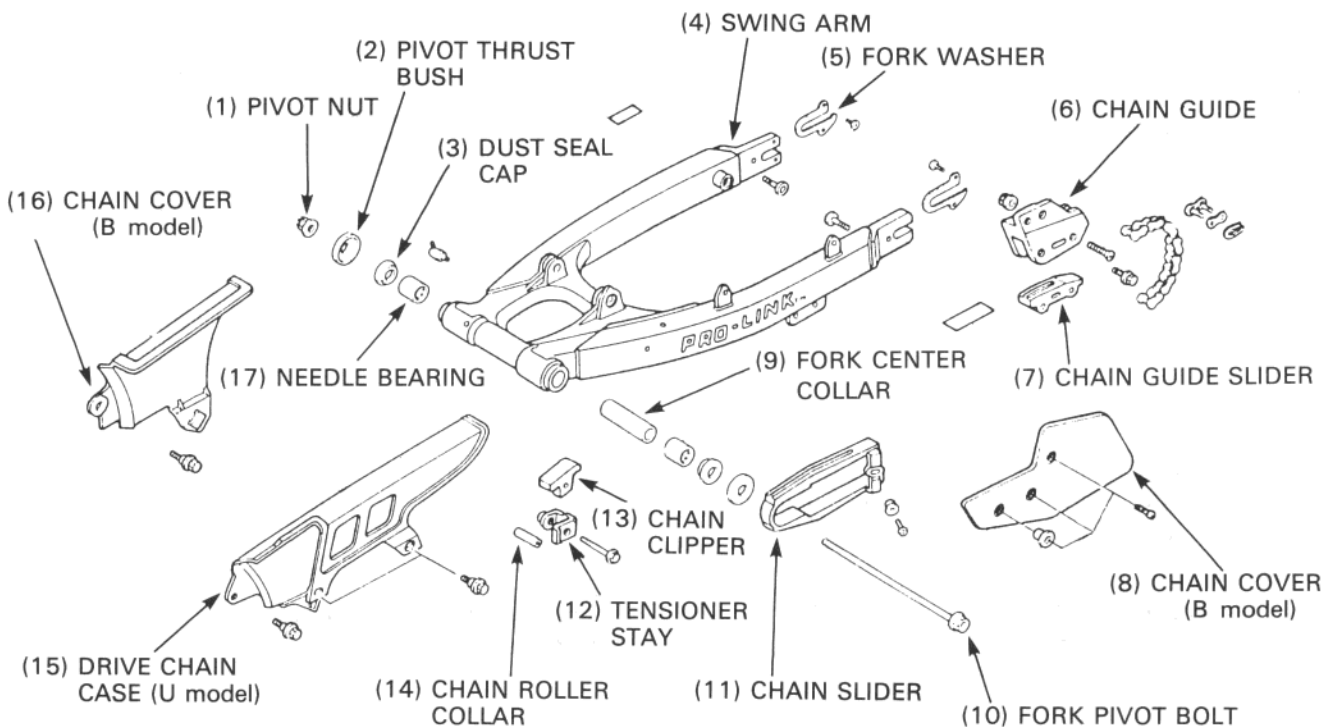
- Install the bearings with the marks facing out.

Replace the press, then position the pivot thrust bush and press them into place.

DRIVER	07749-0010000
ATTACHMENT, 24 x 26 mm	07746-0010700
PILOT, 20 mm	07746-0040500



ASSEMBLY



INSTALLATION

Install the swingarm to the frame and tighten the pivot nut.

TORQUE: 90 N·m (9.0 kg-m, 65 ft-lb)

