

REAR WHEEL/BRAKE/SUSPENSION

SPHERICAL BEARING REPLACEMENT

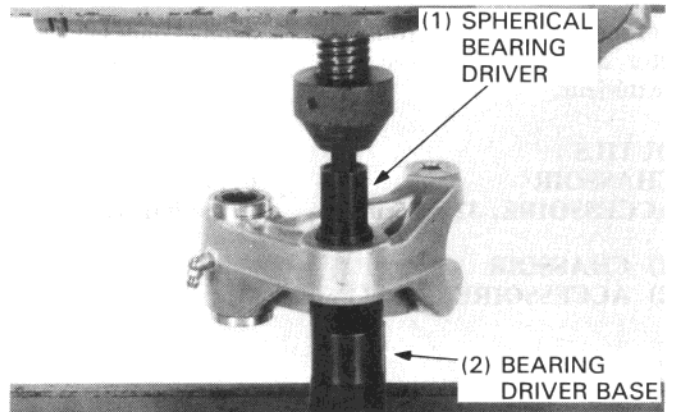
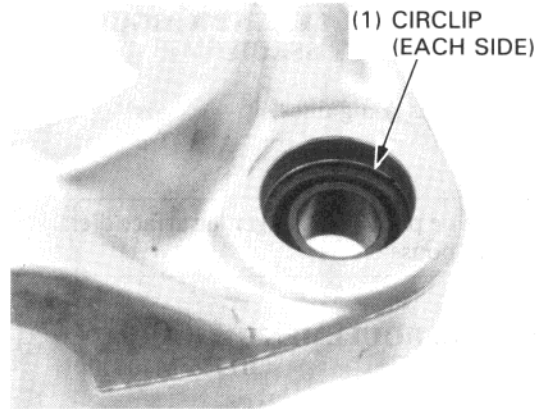
Remove the side collars and dust seals.
Remove the circlips.

Press out the spherical bearing from the shock arm and discard it.

Install a circlip into the lower groove.
Press a new spherical bearing into the shock arm.
Set the second circlip into place.

TOOLS:

SPHERICAL BEARING DRIVER 07946—KA30200
BEARING DRIVER BASE 07HMF—KS60100



INSTALLATION

Apply MoS₂ grease to the spherical bearing, collars and dust seal.

NOTE

Some sources of MoS₂ paste grease with 40% or more molybdenum are:

- Molykote® G-n Paste manufactured by Dow Corning, U.S.A.
- Honda Moly 45 (U.S.A. only).
- Rocol ASP manufactured by Rocol Limited, U.K.
- Rocol Paste manufactured by Sumico Lubricant, Japan.

Any other manufacturer's paste grease equivalent to the above may also be used.

Apply grease to the shock linkage collars, bearings and dust seal lips.

NOTE

- Make sure that the needle rollers of the needle bearings are in position before installing the pivot collars.

