

ELECTRICAL SYSTEM

INSPECTION

Check the resistance between the AC regulator leads.

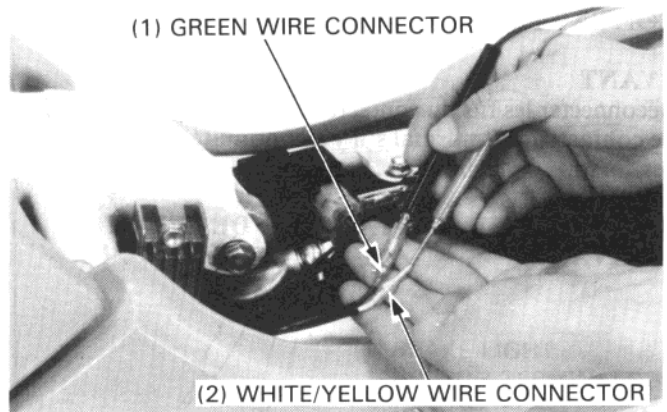
Tester range: KOWA x100°, SANWA xk°

RESISTANCE: 1–90 kΩ

TOOL:

Digital multimeter

07411–0020000

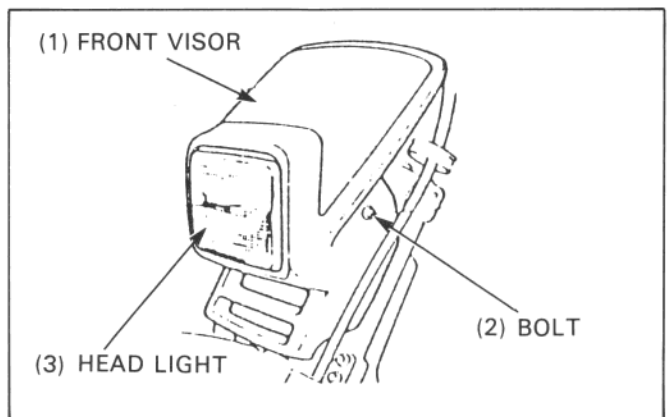


HEADLIGHT

REMOVAL

(B model)

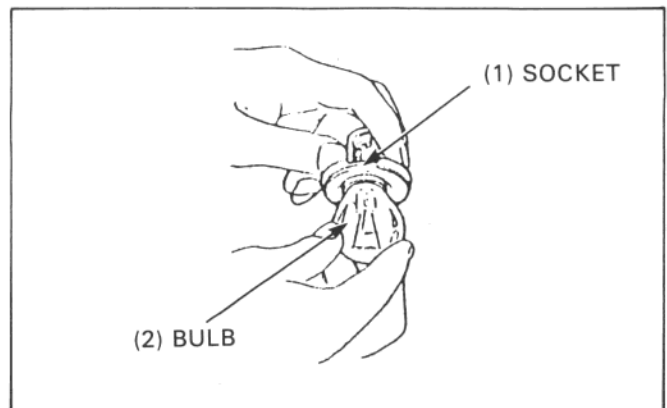
Remove the headlight mounting bolts and remove the front visor. Remove the headlight.



Remove the socket cover and socket from the headlight case. Push the bulb in and turn it counterclockwise. Replace the bulb with a new one.

NOTE

- When installing the bulb, align the tab on the socket with the groove in the headlight.



(U model)

Remove the four rubber bands that secure the headlight case.

