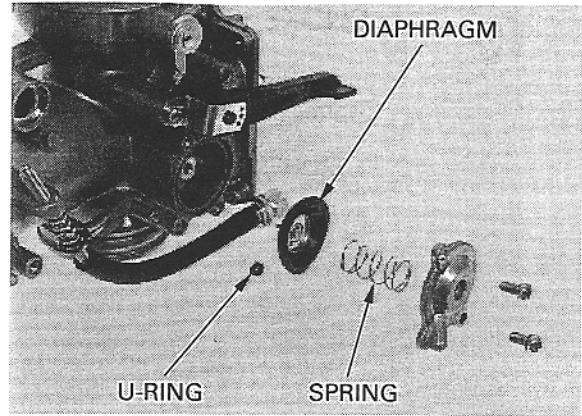


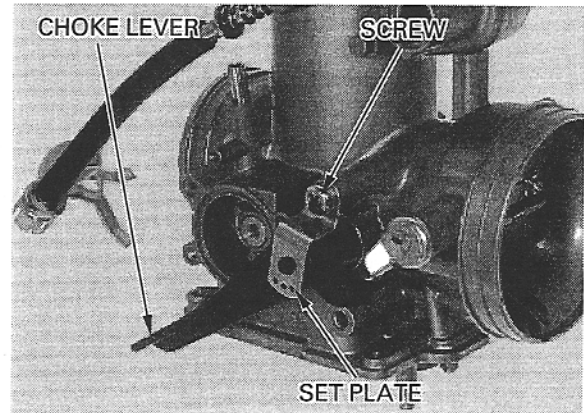
Remove the spring, diaphragm and U-ring.

Check the diaphragm for damage.



CHOKE LEVER

Remove the screw, set plate and choke lever.



CARBURETOR ASSEMBLY

